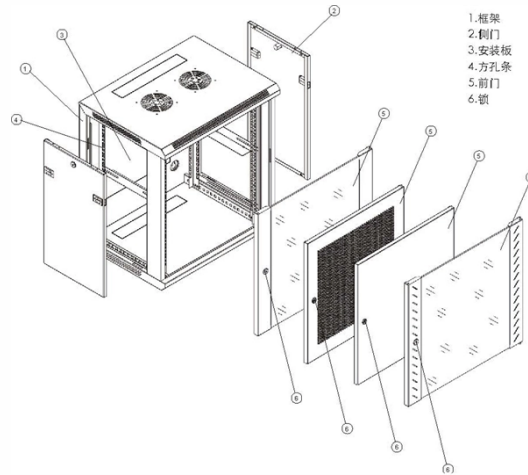


State Grid QC Relay Protection Tester



Overview

RelaySimTest is a software solution for system-based protection testing with OMICRON test sets. Today, Megger offers the FREJA and SMRT relay test sets, the hardware required to access the IEC 61850 network. Thanks to the enhanced testing depth, you'll. Power System protection is crucial part of power station and substations safety which use protection relays and circuit breakers to isolate faulty parts or zones within the plant including Generator zone, Motor zone, Feeder zone, Bus zone, Transformer zone and Transmission Lines zone. Hence a. GE Vernova's Protection, Control, and Metering solutions deliver precise, high-performance automation for today's evolving grid. This. THEY SHOULD BE GIVEN FIRST LINE MAINTENANCE ATTENTION. " relay may only need to operate for 0.



Article Content

May 16, 2026

(PDF) Relay protection test challenges in smart grid DER

Start-time values for one overfrequency protection function for a protection relay in service, designed before the IEC 60255-181 but tested with the

May 28, 2026

A state evaluation and fault diagnosis strategy for

The article proposes a comprehensive fault diagnosis and prediction model for the state of the relay protection system using the support vector

Mar 22, 2026

RelaySimTest

RelaySimTest is a software solution for system-based protection testing with OMICRON test sets. The software simulates realistic operational statuses and faults in the electric network to check whether

Mar 16, 2026

Six Phase Relay Protection Tester

Our Six Phase Relay Protection Tester is an advanced and versatile tool designed for thorough testing and calibration of protection relays in complex power

Oct 12, 2025

Protection, Control & Metering

GE Vernova's Protection, Control, and Metering solutions deliver precise, high-performance automation for today's evolving grid. From advanced relays to

Jul 26, 2025

Assessment and Commissioning of Electrical Substation

Electrical utility substations are wired with intelligent electronic devices (IEDs), such as protective relays, power meters, and communication

Jan 09, 2026

Relay Testing Standards | Delgado Relay Protection Reference

In practice, relay testing is a complex and critical process that requires skilled engineers with in-depth knowledge of power system protection. They must carefully interpret the standards,

Mar 14, 2026

The Relay Testing Handbook: Generator Protection Relay Testing

Generator relay testing isn't hard, but you need to understand the basics first. You should not read this book if you haven't read and applied The Relay Testing Handbook: Principles and Practice, and/or

Jul 13, 2025

Protection relay testing and diagnostic solutions

Verify that your protection relays operate correctly when faults occur. Megger's smart relay testing solutions and expert support help you validate protection performance, improve system

Aug 24, 2025

Multi-phase relay testers for quick fault verification | Megger

Ensure protection system reliability with our multi-phase relay testers. Simulate anything from basic to complex fault conditions, verify timing and coordination,

Sep 04, 2025

Relay protection testing | Product listing

FREJA 549 relay test system A multipurpose, light, portable test instrument designed for the secondary testing of protection relays.

Nov 06, 2025

Smart Protective Relay Test Set Supports Current and Future Smart

The SMRT Power Box is specifically designed to test protective relays that are used in conjunction with CTs having 1 A and 5 A secondaries. It combines the capacity to simulate high

Oct 04, 2025

Relay Testing Solutions

The relay testing set must adapt to the user and the application Relay testing spans from the couple of points test in a single-phase overcurrent relay to the most

Mar 09, 2026

RelaySimTest

Easy way to test complex and distributed protection systems RelaySimTest lets you model your power grid in no time and simulate realistic load and fault events. The

Apr 06, 2026

PROTECTIVE RELAY TESTING

A comprehensive testing program should simulate fault and normal operating conditions of the relay. Acceptance testing, commissioning, and startup will include control power tests, current transformer

Jun 19, 2026

Relay test equipment for maximum equipment protection

We deliver vital products to address customer needs for protection, safe control, and optimal distribution of electrical power in industrial applications. The Protection

Aug 15, 2025

Protection Relay Testing and Commissioning

To successfully complete the steady-state test, the protection relay shall not malfunction, and shall still perform its main functions within the specified tolerance.

Apr 12, 2026

EMC Test Applications

Hence a comprehensive testing of protection relays is very important in order to keep the power system stable and working properly. EMC PARTNER offers a complete and extensive test solutions from

Jul 10, 2025

Protection Relay Types and Testing Procedures

Discover the types of protection relays, their applications, and essential testing procedures to ensure grid reliability and safety. Learn about

Nov 07, 2025

(PDF) Automatic Relay Protection Calibration Device

Maintaining the protection device and eliminating the abnormal and fault defects of the device are important tasks for the maintenance of the power

Apr 23, 2026

How to Test a Solid State Relay?

How to test a solid state relay using a multimeter. Check the input voltage, output continuity, and switching response to ensure a reliable electrical circuit.

Dec 04, 2025

SMETER Relay protection tester PGL9000 Sold Specifications: 1 unit

This advanced tester offers precise, reliable, and efficient testing of various relay protection devices, making it an essential tool for electrical professionals.

Nov 28, 2025

Operation, maintenance, and field test procedures for

Operation, maintenance, and field test procedures for protective relays and associated circuits (photo credit: Omicron) The protection circuits

Aug 15, 2025

The Relay Testing Handbook: Principles and Practice

Settings Preventing Interference in Digital Relays 3-Phase Line Distance Protection Testing Phase-to-Phase Line Distance Protection Testing Phase-to-Ground Line Distance Protection Testing

Contact Us

For more information, pricing, or custom solutions, please contact us:

Website: <https://www.piano-lessons.co.za>

Email: info@piano-lessons.co.za

Phone: +31 6 37258914

Address: Herengracht 123, 1015 BT Amsterdam, Netherlands

This document is for informational purposes only. Specifications subject to change without notice.

